



Single Use **Rx ONLY**

STERILE EO

Sterile: Method of sterilization
using ethylene oxide

PLEUR-EVAC

SAHARA®



CHEST DRAINAGE SYSTEM

S-1102-08

Instructions for Use

PLEUR-EVAC SAHARA®

Chest Drainage System

Dual Tube

Mode d'emploi

PLEUR-EVAC SAHARA®

Système de drainage thoracique

À bitube

Gebrauchsanleitung

PLEUR-EVAC SAHARA®

Thoraxdrainagesystem

Doppelschlauch

Istruzioni per l'uso

PLEUR-EVAC SAHARA®

Sistema per drenaggio toracico

Tubo doppio

Instrucciones de uso

PLEUR-EVAC SAHARA®

Sistema de drenaje torácico

Tubo doble

Gebruiksaanwijzing

PLEUR-EVAC SAHARA®

Thoraxdrainagesysteem

Twee slangen

Instruções de utilização

PLEUR-EVAC SAHARA®

Sistema de drenagem torácica

Tubo duplo

Οδηγίες Χρήσης

PLEUR-EVAC SAHARA®

Σύστημα Θωρακικής Παροχέτευσης

Διπλός Σαλήνας

Bruksanvisning

PLEUR-EVAC SAHARA®

System för Thoraxdränage

Dubbelslang

Käyttöohjeet

PLEUR-EVAC SAHARA®

Rintaontelon tyhjennysjärjestelmä

Kaksoisletku

Bruksanvisning

PLEUR-EVAC SAHARA®

Brystdrenasjesystem

Dobbeltslange

Brugsanvisning

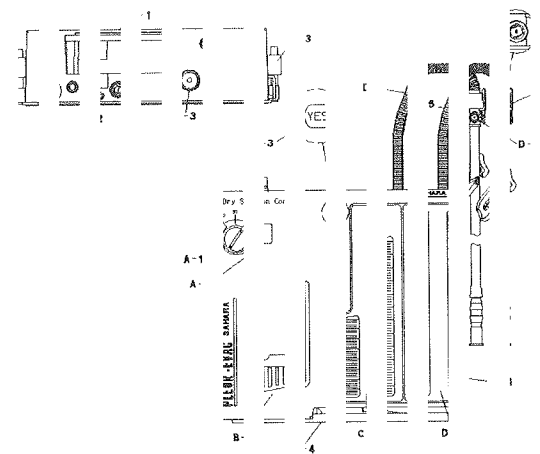
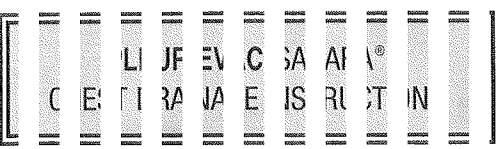
PLEUR-EVAC SAHARA®

Thoraxdrænsystem

Dobbeltslange



Teleflex
MEDICAL



A. UIC C NT OI CH ME R

A. SU:TI N AL
 Th rec:tri ev is ste nin db the nos on f
 w for Rc ate re em circ lar uc n ntr
 su ior ev

A. SI:JT N DI AT R

W an jct ri: app ed nd e c ang fct t
 a ea in e cti rir ca r w dc th su ior
 in os is ete mir d t th dia let g d inc w,
 st un s s ng st flk ta vea ier ne g 4 c of
 w er) rat pp irs th su ior on th

N TE n f p se se a rge iir ak r fl v

th uc th PL JF EV S HA A rst n r y
 b nc as lb nc as g s cti s cr rci is st
 W H JT incr isi rir os dn jat ty. is st
 n es ury c ing th su on ett gc th
 P EU E C AF RA Sys im

C xch ne nit eri lic y t an re at der at

si tio is in: apl ed th ur ar th th
 o ng flo re air in es cti ir ca r

N TE lf s ctic se ing s c ang d f m

n H R l el a DV R vel he ati it
 n jat ty th the lev ur sse ne ag vit s
 re av L th h i ga rity alie va e ti ec se
 n jat ty de ire lev (e 4)

C AV Y C RA VA E

lf rav y c in: el pri ed, ie cti p t
 s sul er in NC PL D nd ee i nd in ize
 C ST UC IC S, ai w tc xit nd in ize
 p ssi ity ite sic pr im ho x.

A IN GA IV PF SS RI NI CA DF

N ga e j es: re dis in e c lle on ha oe
 v en /E c c be see in e i dic or nc w.
 E rin grz ty ai ge he idi to na n t e
 c lec on nar ier itf at n i spi rion D n g
 ii ice a eg ive re ur cor nu ish

(U' DN lf t ES s it sal e ii he

r ga re es ur nc at w dc a: he
 c sc ber 1) he :p ier cc ne ior fc
 l lks 2) rec tu ng or ec on on ne nit
 c es ot op ir, pl e e e d i e ES
 f es: re ad itc dc s r t c nfi d eg in
 t be ate cy loi ne c c h he ra ag tul

E ON -W Y: EA

A he cv re ov es ie re ay sal hic
 a ow air es frc i th pl ra pa e w le
 r arc g ar en flk o ir. at is st
 r qui d t a cl ave nis ne ray ee

M TI Th flu in ie tic a ea me r i

u ed ra lea de ect na d is ot wa er al.
 E I A RL AK JA NC STI S- ia ee
 C gr stic ar de ec he AT IN All LE <
 M TI n st fi d th ate ot e fi ar e.

T e p tie ail eal ne r i icca s i e

a orc m: e c gre of r lk kf m e c es
 c vity Db rv ou lin in e c ur s c the
 p tie ail eal ne r. T e h e he un fr
 L W) I HI H t e h e h e he un fr
 c ur th uc wh e h e h e he un fr
 g eat th de ee fa lea

es ial rm f t p er air ak ete wi

pl tic in: vit pa nt sp atic if ere s e th
 p ur ch st l be ac ne T m kii s c
 c ur a fo efe anc or au do not
 c rre jor to ctu p en re tiv

I 2 I EI EI SS N. C I DN IT

S eri wa r th sa ge n l in c te in th Air
 S ak let r c u the ve DL DL 3 I IE TIC
 S TE sir a an rd er ip s ng
 S rir e t fil he ir eal Me r. l) I EI .E

I 3 I)S IVI PF SS RI RE EF 'Al E i er

th cre ses n p siti e p ss e, ev tin
 l es: re xct iul or ru th pr itti

AF IN :D nc ot ru th pr itti

l 4 I TI RE HI H I EG TV Y EL F LL S
 i pr ide to en xc s i sh ne ati y. e pr ss
 l ttc to lie en iat ty; ter de e wi e pr ss

AF IN :S ipi ng r n kir lo he no ci

bii c c ise xc s s er ga rit No ci
 gh eg div r r ef alv to est e agi th vit
 pi sc ier ev s.

AU OI lf ict n nc of rat e, if ng he

gh leq tiv y f lie /al e c de res luc
 e ga ve re u wi in ce in oll iur
 rai be re o ro itn s p en wi it or
 su ng nos ibi y a ier no or

AU OI Tf PI UI EV C AH RA Sy: er lie

is ra or tic iig ne ati p se re
 lv o nit re eg ivi ore su tc
 opi cin te -5 cn of ite

C CC LE TI V (IA BE

C I T E i DL EC ON CH ME R las
 c o ac y c 10 m e t 6). ne oll tic
 C an er s c ibri ed 12 lir er n: up
 2)m and lOr in em nts 0 1 00 . F ds

(2 T E i DL EC OF CH ME R ha a

c o ac y c 10 m e t 6). he oll tic
 C an er is ilit ten n ml icr ne s tr
 1 00 . F ids we ov ror on co ca ne to

V her ea ng ne ille ior :ha lbe ca rat ns

p as nc th th e i ay e a ec as n
 c gir ve im of e f t c n p tr nt er id
 e ll c er to r ct. his na be tril ter o
 e fa te sio "b t- u l.) ne stu vc me of
 t e p vic s c n p tr nt (sh jld er ore
 c e cl d i cc ac of e t al ad g i xit al.

V her dra ag re: he 10 lm t h an ers

t e u tis lle to pa ty. ep be e it. ne
 c an ng e it, ax iur sp d n t
 a hie ed m kir re ly: nev un ano oll vin
 t e s up inc ope atir in uc on:

I O' IEI FE TU ES

l 1 / car ing nar le pr ide fo eac of
 tie ar iul or r t ns rt th un

l 2 I ark g e fa s a e fi m: ing not lor U

l 3 / ol ng s: a p wik d t ha j th
 . EI R E AC SA AR frc ia ed .) F sta fo

l 4 / a ch d fl rrs nd wir s c t: tal ize

e F EL -E AC AF R, un wh it se on
 e fi or. ne vor an co ain an utc iat
 e cki m sh is r the loc: th fic st d i o
 e d at the oc tar . re th loc ng ib

5. to ins sic cc ne prs rec inc lu ar

ov ed th pa int lbe A sec les se pli
 e i orc de in e c nn to or kir sa ple
 pa ent rai age U: a an ard ier lock
 rin e fe wi dra ing car ile: Th co rec r
 d r or e c b inv te o sili e: m j

AU OI U: o y a ta lai lu lo cs in

w idi w: m es or the lu tra lo cs in
 uni cti N N ED E I RE UI EC